

93 11/16"

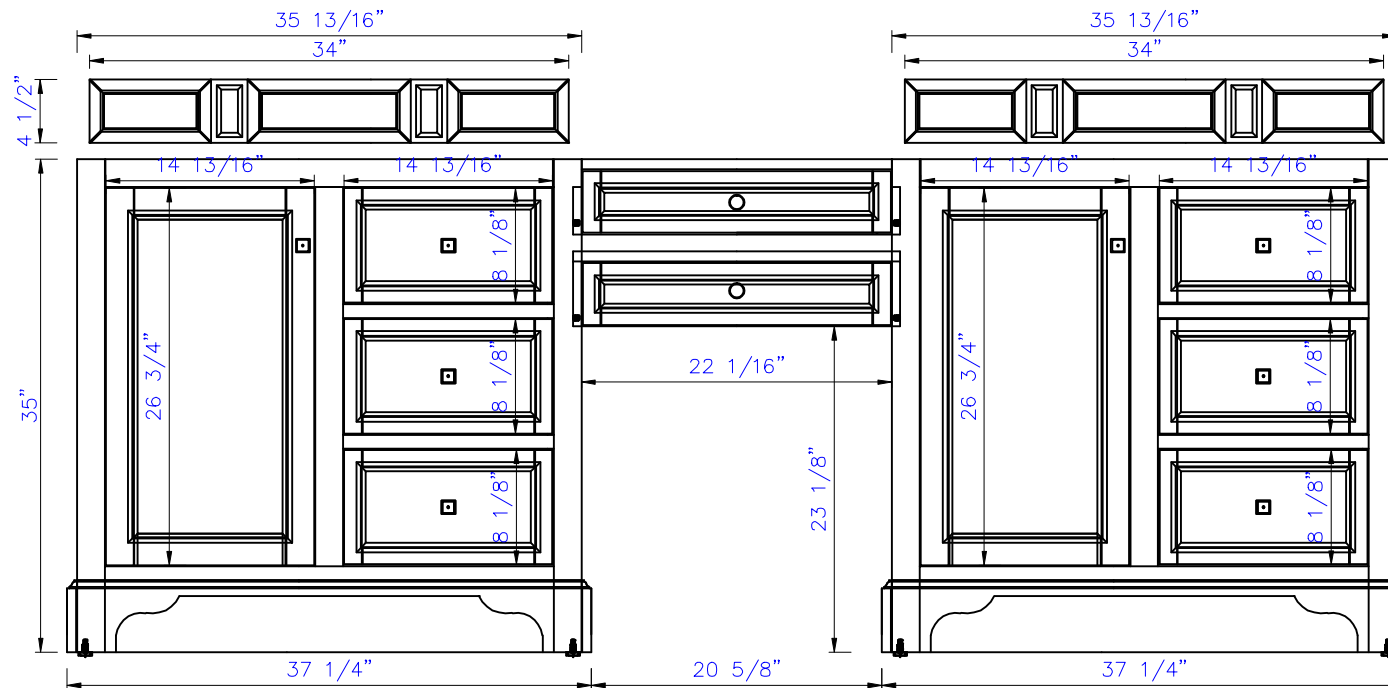
Item Number:  
825-V36-BNM/BW/SL  
825-DU22-BNM/BW/SL

JAMES MARTIN



VANITIES™

De Soto Drawer Unit (V36+DU22+V36)  
Diagrams with Dimensions  
page 01 of 03



NOTE ONE: Countertops are not shown in these diagrams .(Cabinet Only)

NOTE TWO: Wood Backsplash (Shown) is designed for the molding detail to align with sinks in James Martin's Optional Countertops.

Customers' own countertops and sinks may align differently.

Please consult our website for Countertop Diagrams: [www.jamesmartinvanities.com](http://www.jamesmartinvanities.com)

Version: 201906

93 11/16"

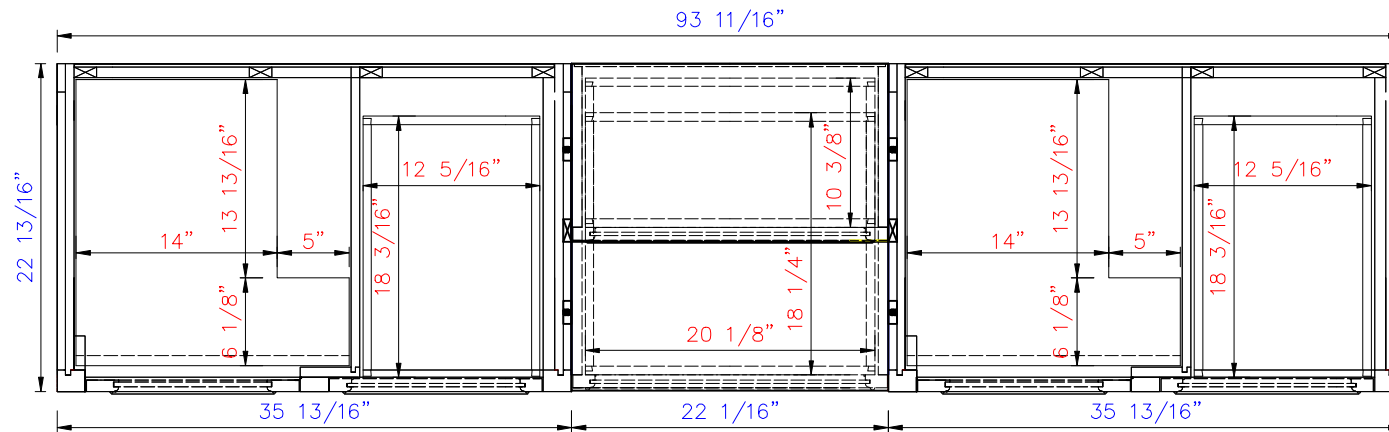
Item Number:  
825-V36-BNM/BW/SL  
825-DU22-BNM/BW/SL

JAMES MARTIN



VANITIES™

De Soto Drawer Unit (V36+DU22+V36)  
Diagrams with Dimensions  
page 02 of 03



NOTE ONE: Countertops are not shown in these diagrams .(Cabinet Only)

NOTE TWO: Internal Shelves (Shown) are designed to align with sinks in James Martin's Optional Countertops.  
Customers' own countertops and sinks may align differently, and modification may be required.

Please consult our website for Countertop Diagrams: [www.jamesmartinvanities.com](http://www.jamesmartinvanities.com)

Version: 201906

93 11/16"

Item Number:  
825-V36-BNM/BW/SL  
825-DU22-BNM/BW/SL

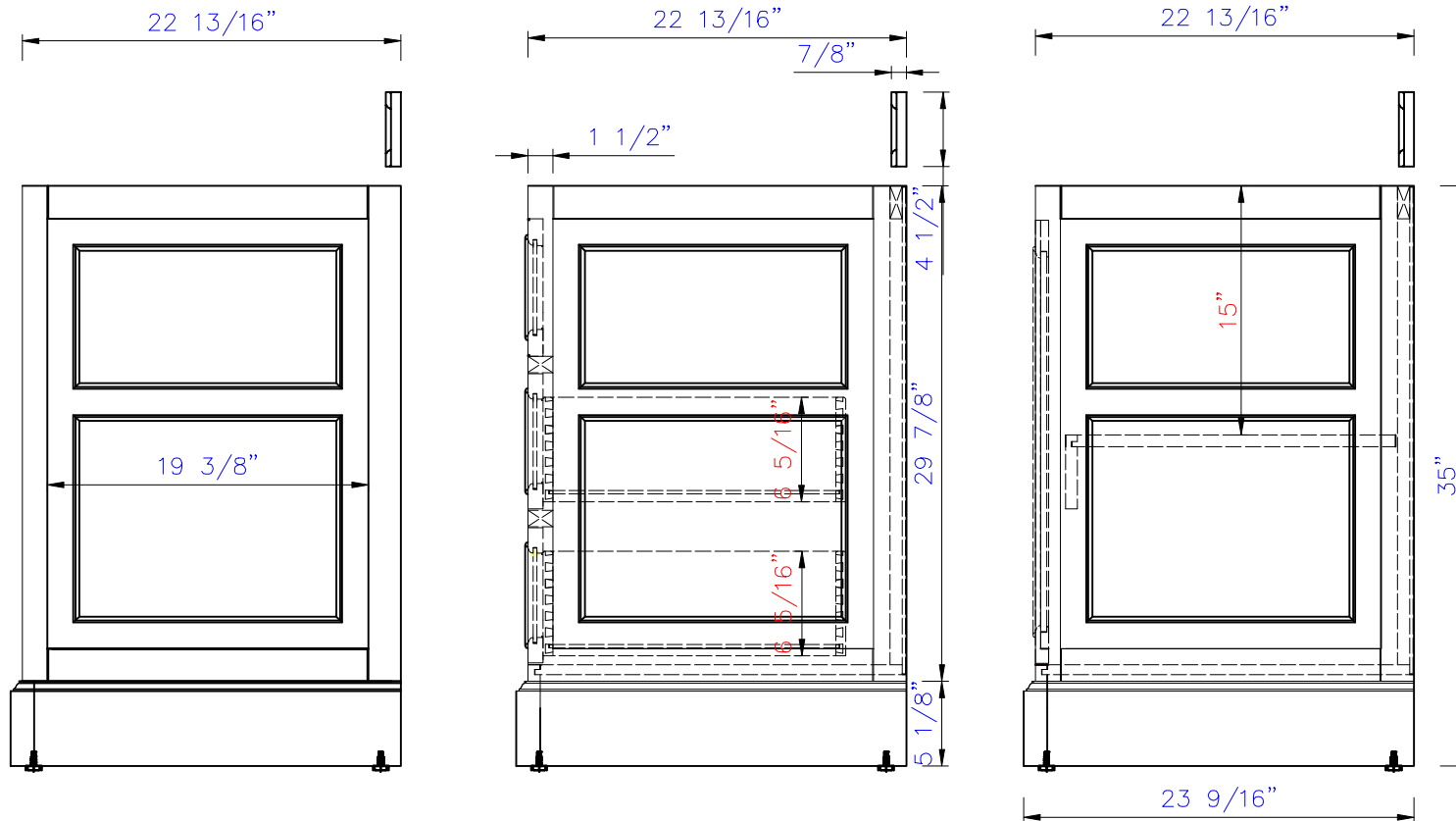
JAMES MARTIN



VANITIES™

De Soto Drawer Unit (V36+DU22+V36)

Diagrams with Dimensions  
page 03 of 03



NOTE ONE: Countertops are not shown in these diagrams .(Cabinet Only)

NOTE TWO: Wood Backsplash (Shown) is designed for the molding detail to align with sinks in James Martin's Optional Countertops.

Customers' own countertops and sinks may align differently.  
Please consult our website for Countertop Diagrams: [www.jamesmartinvanities.com](http://www.jamesmartinvanities.com)

Version: 201906

2380mm

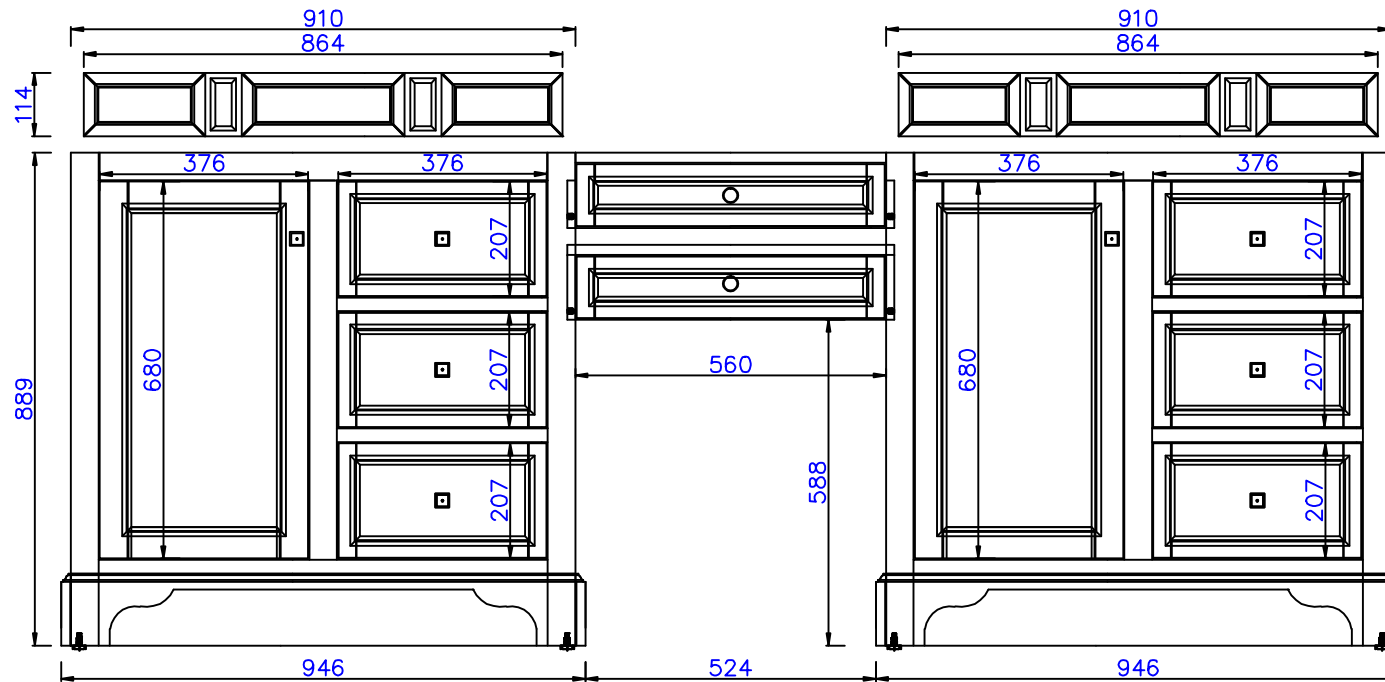
Item Number:  
825-V36-BNM/BW/SL  
825-DU22-BNM/BW/SL

JAMES MARTIN



VANITIES™

De Soto Drawer Unit (V36+DU22+V36)  
Diagrams with Dimensions  
page 01 of 03



NOTE ONE: Countertops are not shown in these diagrams .(Cabinet Only)

NOTE TWO: Wood Backsplash (Shown) is designed for the molding detail to align with sinks in James Martin's Optional Countertops.

Customers\* own countertops and sinks may align differently.

Please consult our website for Countertop Diagrams: [www.jamesmartinvanities.com](http://www.jamesmartinvanities.com)

Version: 201906

2380mm

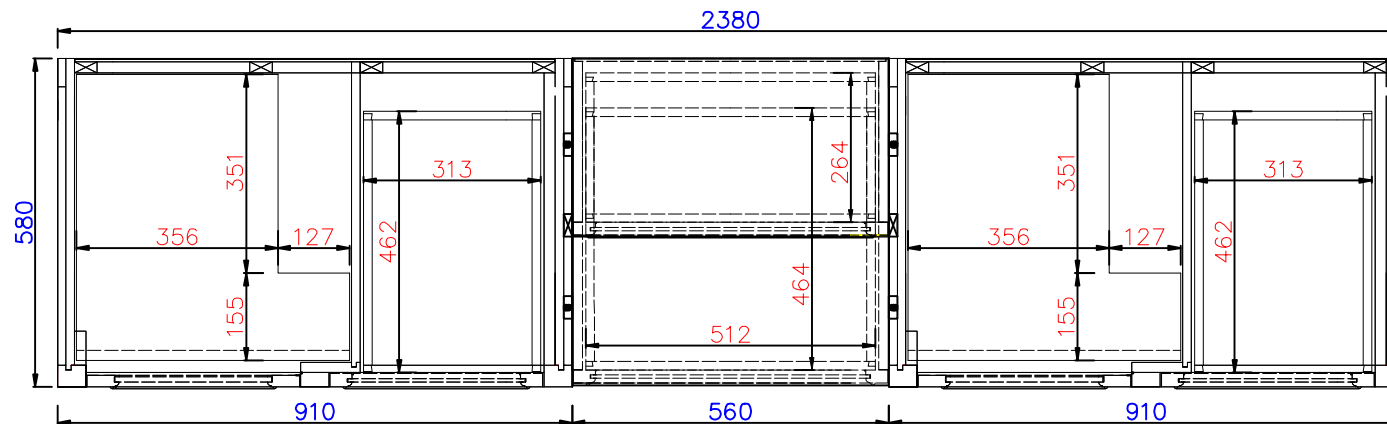
Item Number:  
825-V36-BNM/BW/SL  
825-DU22-BNM/BW/SL

JAMES MARTIN



VANITIES™

De Soto Drawer Unit (V36+DU22+V36)  
Diagrams with Dimensions  
page 02 of 03



NOTE ONE: Countertops are not shown in these diagrams .(Cabinet Only)

NOTE TWO: Internal Shelves (Shown) are designed to align with sinks in James Martin's Optional Countertops. Customers' own countertops and sinks may align differently, and modification may be required.

Please consult our website for Countertop Diagrams: [www.jamesmartinvanities.com](http://www.jamesmartinvanities.com)

Version: 201906

2380mm

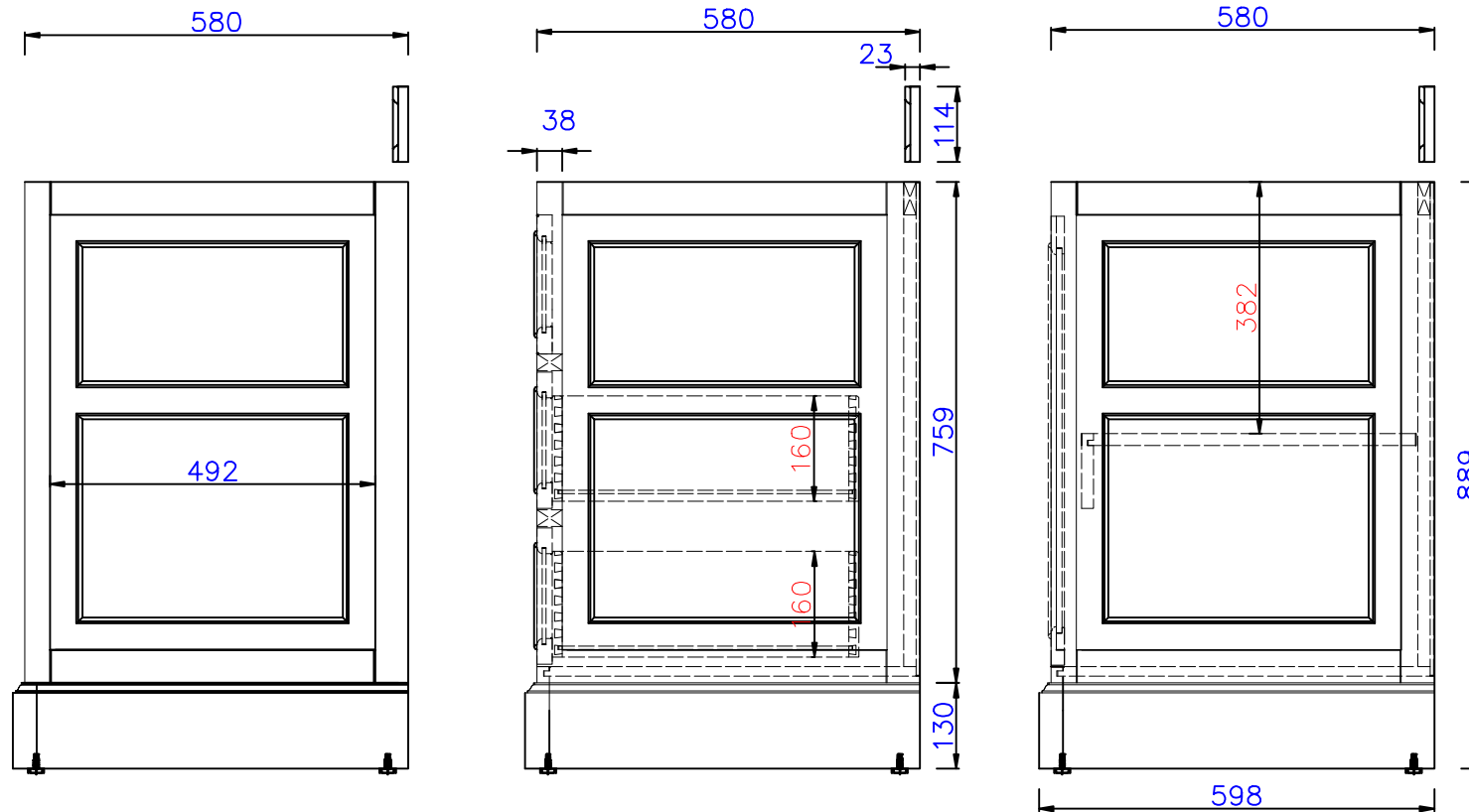
Item Number:  
825-V36-BNM/BW/SL  
825-DU22-BNM/BW/SL

JAMES MARTIN



VANITIES™

De Soto Drawer Unit (V36+DU22+V36)  
Diagrams with Dimensions  
page 03 of 03



NOTE ONE: Countertops are not shown in these diagrams .(Cabinet Only)

NOTE TWO: Wood Backsplash (Shown) is designed for the molding detail to align with sinks in James Martin's Optional Countertops.

Customers' own countertops and sinks may align differently.  
Please consult our website for Countertop Diagrams: [www.jamesmartinvanities.com](http://www.jamesmartinvanities.com)

Version: 201906

36"

Item Number:

825-V36-BW/SL

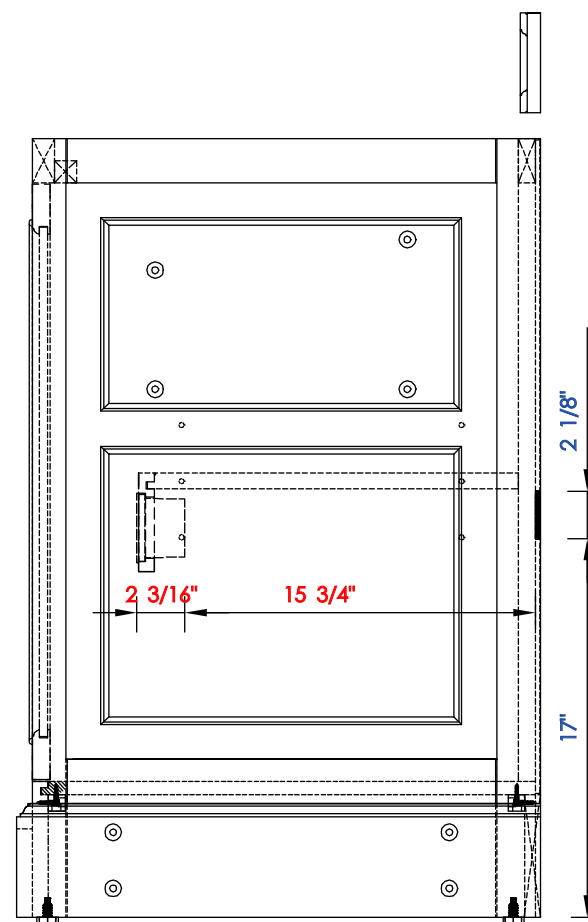
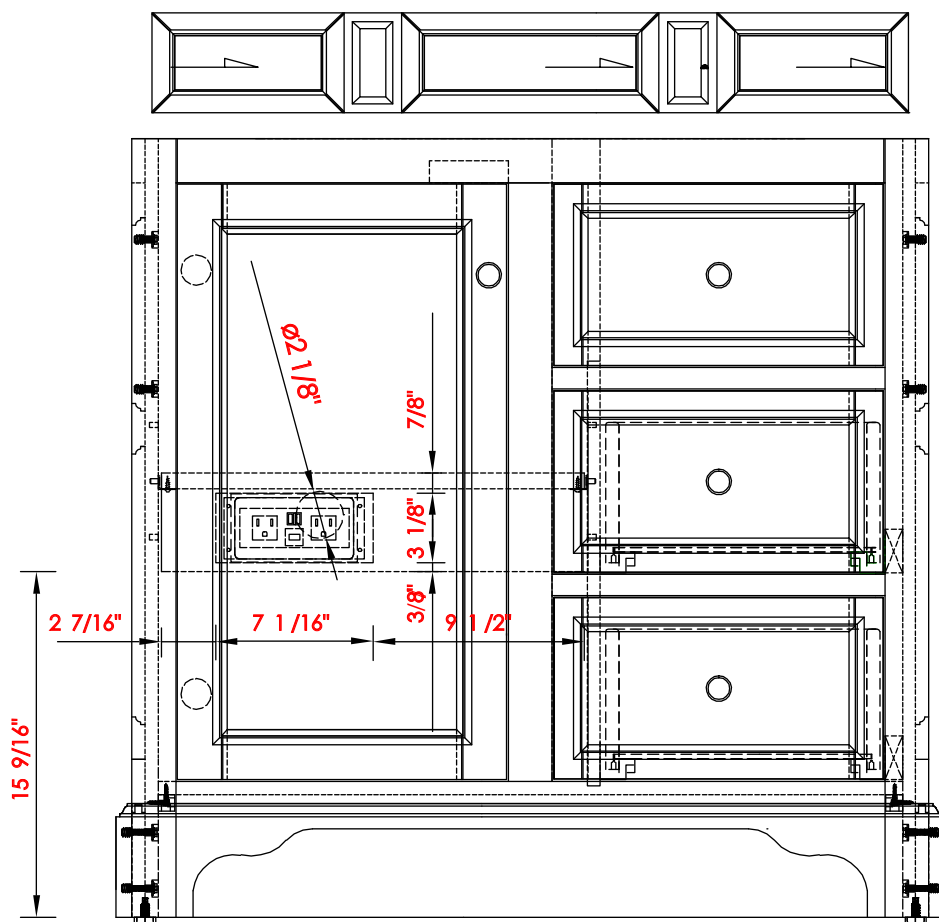
JAMES MARTIN



VANITIES™

De Soto 36" Cabinet

Diagrams with Dimensions  
page 01 of 01



914 mm

Item Number:

825-V36-BW/SL

JAMES MARTIN



VANITIES™

De Soto 914mm Cabinet

Diagrams with Dimensions  
page 01 of 01

