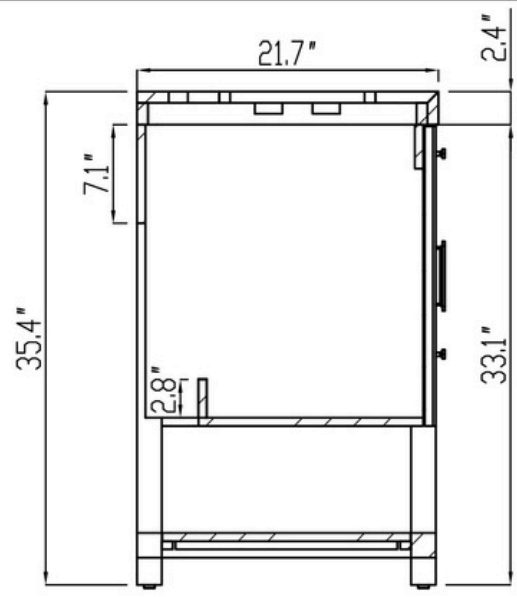
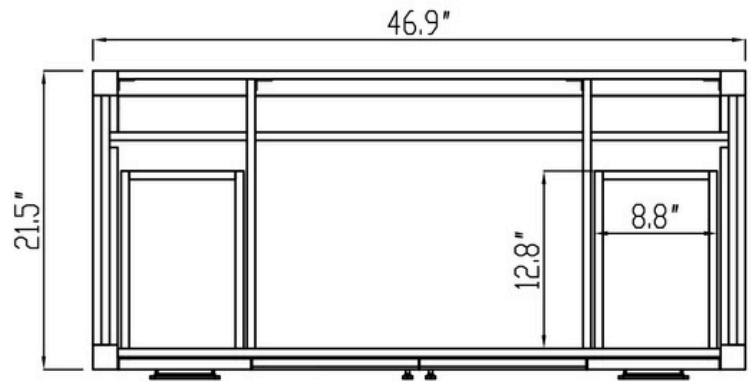


FRONT ELEVATION



SIDE ELEVATION



DRAWER PLAN DETAIL

Revival 48"